

HONDEX[®]

8.4" Fish Finder
HE-881

New Standard for Smart Investment

50&200kHz Fixed Frequency Model

Output Power

600w
or
1000w



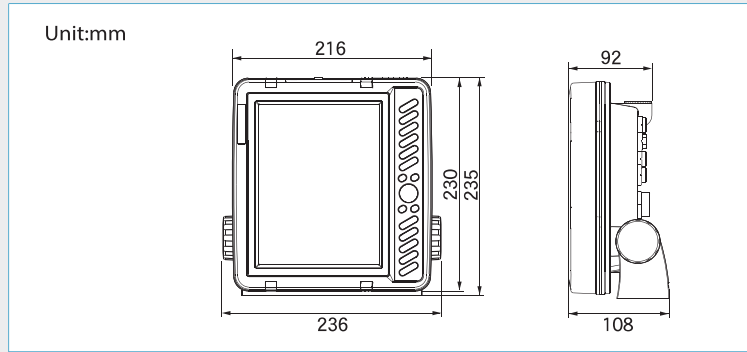
8.4" Fish Finder

HE-881

50&200kHz Model

MADE IN JAPAN

Dimension



Specifications

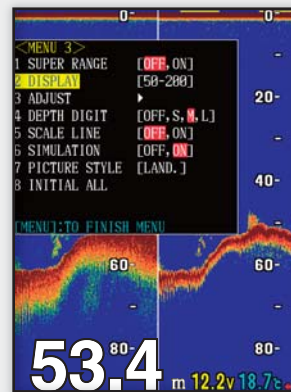
Display	8.4 inch LCD
Number of Pixel	640 × 480
Operating Voltage	11-35V DC
Power Consumption	12W
Display Style	Portrait, Landscape
Dimension	235(H) × 236(W) × 108(D)mm
Weight	Approx. 1.7kg
Frequency & Power Output	50/200kHz , 600W or 1,000W
Depth Range	5 to 1,000 Meters / Fathoms / Brazas 15 to 3,000 Feet
Sweep Speed	6 steps plus freeze
Fish Alarm	Off / Small / Large
Depth Alarm	Off / In Range / Out Range
Expansion	Off / Auto / Manual / Bottom Lock
Expansion Rate	×2 / ×4 / ×8
Clean Echo	Off / L / H
Pulse Length	Norm / Long
Color Configuration	6 Patterns
Scale Unit	Meters, Fathoms, Feet or Brazas
Water Temperature	Digital & Graph (Optional sensor required)
Water Temp. Alarm	Off / On (Optional sensor required)
Internal Simulation	Off / On
NMEA Output	Depth (DBT sentence) Water Temp. (MTW sentence)
Backlight	Adjustable
Language	English / Spanish / Italian / Portuguese / Chinese / Korean / Thai
Other Functions	Auto Range (Off / On), Auto Gain (Off / Low / High), A-mode (Off / On), Background Color Selection (Black, Blue, White, Darkblue), NMEA Input (GGA, GLL, VTG)

8.4" Clear Display Model

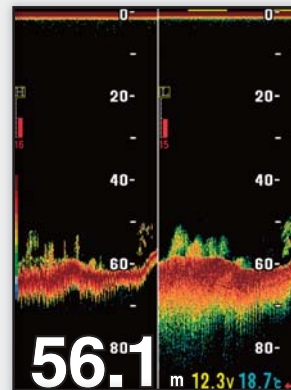
**"Multi-Display Split"
for your Preference**

50/200kHz Dual Frequency

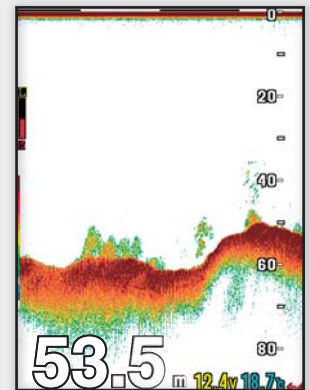
Display View



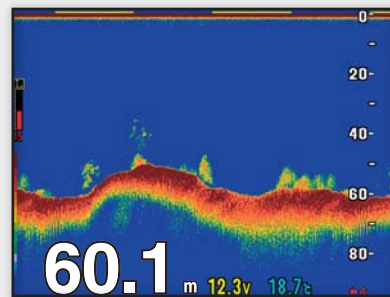
Multi-Lingual Menu



Black (Portrait)



White (Portrait)



Landscape

Specifications are subject to change without notice.

● Dealer



HONDA ELECTRONICS CO., LTD.

20 Oyamazuka, Oiwa-cho,
Toyohashi, Aichi 441-3193, Japan

TEL: +81-532-41-2512

www.honda-el.co.jp/en/marine/



HONDEX is the registered trademark of HONDA ELECTRONICS CO.,LTD. in the United States, Japan and other countries.

13 MAR 2015